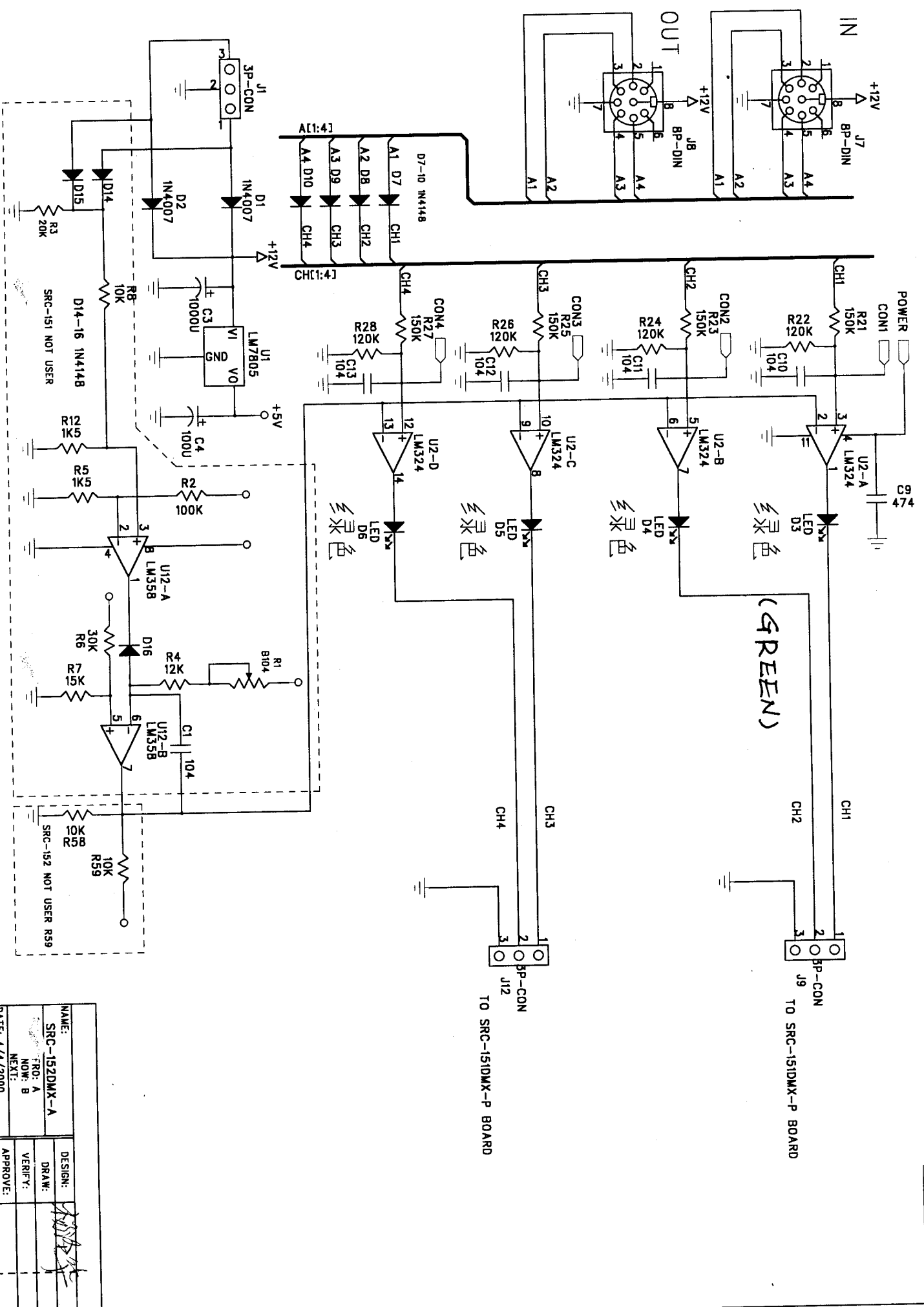


NAME:	SRC-152DMX-A	DESIGN:	
REV:	FR: A	DRAW:	
	NOW: B	VERIFY:	
	NEXT:	APPROVE:	
DATE:	4/4/2000		



NAME:	SRC-152DMX-A	DESIGN:	
FRD:	A	DRAW:	
NOW:	B	VERIFY:	
NEXT:		APPROVE:	
DATE:	4/4/2000		