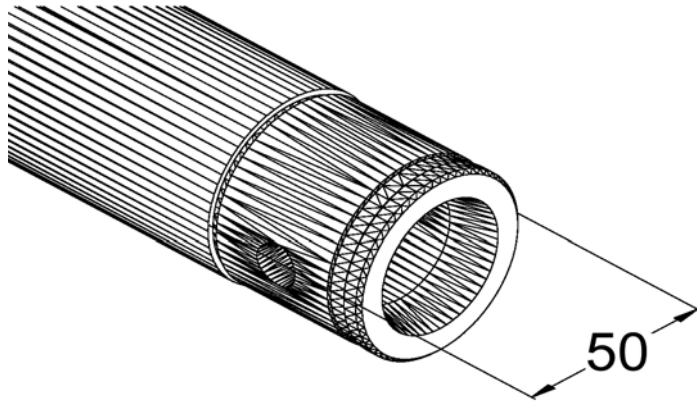


# alutruss SINGLELOCK SP



System components (straights):		
Designation	No.	Weight (kg)
SP-500	60210010	0,7
SP-1000	60210020	1,1
SP-1500	60210030	1,5
SP-2000	60210040	1,9
SP-2500	60210050	2,3
SP-3000	60210060	2,7

## Materials used:

Alloy EN-AW 6060 T66 (AlMgSi0.5 T66)  
Main chords 50 x 2 mm

Load table SP:		
Span (m)	Point load (kg)	UDL (kg/m)
0,5	230	465,0
1,0	115	225,0
1,5	75	150,0
2,0	55	110,0
2,5	45	90,0
3,0	35	75,0
3,5	30	63,0
4,0	25	53,0

## Maximum system-length: 4 meters

The load capacities given in this load table are based on the German standard DIN 4113.  
The capacities are only valid for static loads supported at both ends and must never be exceeded!  
Please refer to the VPLT Code of Practice SR1.0 available under [www.plasa.org](http://www.plasa.org) and [www.vplt.org](http://www.vplt.org)  
For BS and ANSI compliance multiply the given capacities with 0.85.  
This load table is only valid for trussing systems made of ALUTRUSS components.  
This load table is not valid for circular truss.

## Welding approval:



Welding certificate no.: AI 6316/04