

# Futurelight<sup>®</sup>

## PHS-250 Pro-Head-Spot

Service-Dokumente  
Service-documents  
Documents de service  
Documentos de servicio

Version 1.2

## Spare-parts PHS-250

No.	Designation - German	Designation - English	Designation - French	Designation - Spanish	Part
89106115	PHILIPS MSD250/2 90V/250W GY-9.5 2000h	PHILIPS MSD250/2 90V/250W GY-9.5 2000h	PHILIPS MSD250/2 90V/250W GY-9.5 2000h	PHILIPS MSD250/2 90V/250W GY-9.5 2000h	
89106100	GE CSD250/2 95V/250W GY-9,5 2000h 8500K	GE CSD250/2 95V/250W GY-9,5 2000h 8500K	GE CSD250/2 95V/250W GY-9,5 2000h 8500K	GE CSD250/2 95V/250W GY-9,5 2000h 8500K	
89106110	OSRAM HSD250/2 90V/250W GY9,5 3000h 7800K	OSRAM HSD250/2 90V/250W GY9,5 3000h 7800K	OSRAM HSD250/2 90V/250W GY9,5 3000h 7800K	OSRAM HSD250/2 90V/250W GY9,5 3000h 7800K	
89106120	SYLVANIA BA250/2 SE D 90V/250W GY-9,5	SYLVANIA BA250/2 SE D 90V/250W GY-9,5	SYLVANIA BA250/2 SE D 90V/250W GY-9,5	SYLVANIA BA250/2 SE D 90V/250W GY-9,5	
89106005	OMNILUX OSD 90V/250W GY-9,5 2000h 6700K	OMNILUX OSD 90V/250W GY-9,5 2000h 6700K	OMNILUX OSD 90V/250W GY-9,5 2000h 6700K	OMNILUX OSD 90V/250W GY-9,5 2000h 6700K	
89106010	OSRAM HSD 250 90V/250W GY-9,5 2000h	OSRAM HSD 250 90V/250W GY-9,5 2000h	OSRAM HSD 250 90V/250W GY-9,5 2000h	OSRAM HSD 250 90V/250W GY-9,5 2000h	
89106015	PHILIPS MSD250 90V/250W GY-9,5 2000h	PHILIPS MSD250 90V/250W GY-9,5 2000h	PHILIPS MSD250 90V/250W GY-9,5 2000h	PHILIPS MSD250 90V/250W GY-9,5 2000h	
51845006	Gobo 27/23mm Metall, Design 6	Gobo 27/23mm metal, design 6	Gobo 27/23mm métallique, dessin 6	Gobo 27/23mm metálico, diseño 6	44
51845011	Gobo 27/23mm Metall, Design 11	Gobo 27/23mm metal, design 11	Gobo 27/23mm métallique, dessin 11	Gobo 27/23mm metálico, diseño 11	42
51845051	Gobo 27/23mm Metall, Design 51	Gobo 27/23mm metal, design 51	Gobo 27/23mm métallique, dessin 51	Gobo 27/23mm metálico, diseño 51	41
51845052	Gobo 27/23mm Metall, Design 52	Gobo 27/23mm metal, design 52	Gobo 27/23mm métallique, dessin 52	Gobo 27/23mm metálico, diseño 52	40
51845053	Gobo 27/23mm Metall, Design 53	Gobo 27/23mm metal, design 53	Gobo 27/23mm métallique, dessin 53	Gobo 27/23mm metálico, diseño 53	43
51845054	Gobo 27/23mm Metall, Design 54	Gobo 27/23mm metal, design 54	Gobo 27/23mm métallique, dessin 54	Gobo 27/23mm metálico, diseño 54	45
51845055	Gobo 27/23mm Metall, Design 55	Gobo 27/23mm metal, design 55	Gobo 27/23mm métallique, dessin 55	Gobo 27/23mm metálico, diseño 55	47
51845056	Gobo 27/23mm Metall, Design 56	Gobo 27/23mm metal, design 56	Gobo 27/23mm métallique, dessin 56	Gobo 27/23mm metálico, diseño 56	48
51845057	Gobo 27/23mm Metall, Design 57	Gobo 27/23mm metal, design 57	Gobo 27/23mm métallique, dessin 57	Gobo 27/23mm metálico, diseño 57	50
51845058	Gobo 27/23mm Metall, Design 58	Gobo 27/23mm metal, design 58	Gobo 27/23mm métallique, dessin 58	Gobo 27/23mm metálico, diseño 58	46
51845059	Gobo 27/23mm Metall, Design 59	Gobo 27/23mm metal, design 59	Gobo 27/23mm métallique, dessin 59	Gobo 27/23mm metálico, diseño 59	52
51845405	Gobo 27/23mm Dichro blau, Design 5	Gobo 27/23mm dichro blue, design 5	Gobo 27/23mm dichroïquebleu, dessin 5	Gobo 27/23mm dicróico azul, diseño 5	49
E3121437	Griff	Handle	Poignée	Asa	1
E2011011	Quarz 24MHz	Quarz 24MHz	Quarz 24MHz	Quarz 24MHz	
E3121435	Lüfter (klein) 12V 2,6W	Fan (small) 12V 2,6W	Ventilateur (petit) 12V 2,6W	Ventilator (pequeño) 12V 2,6W	13
E3129513	Thermosicherung 108°C selbstrückstellend	Thermal fuse 108°C self-reset	Fusible thermique 108°C automatique	Termofusible 108°C automático	
E3129551	Drossel für 250 MSD	Ballast for 250 MSD	Ballast pour 250 MSD	Reactor para 250 MSD	5
E3129601	XLR-Einbaubuchse für PHS-Serie	XLR mounting-socket for PHS-series	Douille XLR encastrable pour série PHS	Casquillo XLR incorporado p. serie PHS	2
E3129602	XLR-Einbaustecker für PHS-Serie	XLR-Connector male for PHS-series	Fiche encastrable XLR pour série PHS	Clavija incorporado XLR p. serie PHS	3
E3129603	Kaltgerätebuchse m. Sicherungshalter	IEC mounting-socket w. fuse-holder	Prise de sortie CEI a. porte-fusible	Casquillo IEC con portafusible	4
E3125601	Magnetsensor für PHS-250	Hall sensor magnet for PHS-250	Senseur magnetique pour PHS-250	Sensor magnético para PHS-250	
E3125602	Relais für Platine PHS-250	Relay for PCB PHS-250	Relais pour platine PHS-250	Relé para platina PHS-250	
E3125603	Lichtschränke für PHS-250	Light-sensor for PHS-250	Senseur de lumière pour PHS-250	Sensor de luz para PHS-250	7
E3125604	Taster für Display PHS-250	Contact switch for display PHS-250	Bouton poussoir pour display PHS-250	Pulsador para display PHS-250	
E3125605	Linse 1te für PHS-250	First lens for PHS-250	1ière lentille pour PHS-250	1a lente para PHS-250	24
E3125606	Linse 2te für PHS-250	Second lens for PHS-250	2ième lentille pour PHS-250	2a lente para PHS-250	25
E3125607	Linse für Fokus PHS-250	Focus lens for PHS-250	Lentille de foyer pour PHS-250	Lente de foco para PHS-250	29
E3125608	Objektivlinse für PHS-250	Objectiv-lens for PHS-250	Objectif pour PHS-250	Objetivo para PHS-250	19
E3125609	Reflektor für PHS-250	Reflector for PHS-250	Réfecteur pour PHS-250	Reflector para PHS-250	26
E3125610	Prisma für PHS-250	Prism for PHS-250	Prisme pour PHS-250	Prisma para PHS-250	35
E3125611	Shutter für PHS-250	Shutter for PHS-250	Shutter pour PHS-250	Shutter para PHS-250	30
E3125612	Goborad mit statischen Gobos für PHS-250	Gobo-wheel with static gobos for PHS-250	Roue de gobos statiques pour PHS-250	Rueda de gobos estáticos para PHS-250	27
E3125613	Farbrad für PHS-250	Colorwheel for PHS-250	Roue des couleurs pour PHS-250	Rueda de colores para PHS-250	31
E3125614	Achsenhalterung TILT Ausgl.gew. PHS-250	Axle holder TILT bal. weight for PHS-250	Support de axe TILT a. poids pour PHS-250	Soporte de axis TILT c. peso para PHS-250	17
E3125615	Platine für PHS-250	PCB for PHS-250	Platine pour PHS-250	Platina para PHS-250	14
E3125616	Platine Bedieneinheit für PHS-250	PCB for Control Board for PHS-250	Platine pour unité de contrôle p. PHS-250	Platina para unidad de control p. PHS-250	15
E3125617	Verbindungsblech Yoke "U" für PHS-250	Connection plate Yoke "U" for PHS-250	Tôle de connexion Yoke "U" pour PHS-250	Chapa de conexión Yoke "U" para PHS-250	11
E3125618	Versteifung für Verbindungsblech PHS-250	Support sheet f. connection plate PHS-250	Support de tôle de connexion PHS-250	Soporte de chapa de conexión PHS-250	12
E3125619	Zahnriemen für Kopfbewegung PHS-250 (PAN)	Toothed-belt f.head-move PHS-250 (PAN)	Courroie dentée movem.tête PHS-250 (PAN)	Correa dentada p.movimien.de cabeza (PAN)	
E3125620	Klemmring für rotierendes Gobo PHS-250	Clamp ring for rotating gobo PHS-250	Anneau de serrage p.gobo rotat. PHS-250	Anillo opressor p.gobo girator. PHS-250	
E3125621	Zahnrad für Goborotation PHS-250	Gearwheel for goborotation PHS-250	Roue dentée pour rotation de gobo PHS-250	Rueda dentada p. rotación de gobo PHS-250	28
E3125622	Zahnriemen für Kopfbewegung PHS-250(TILT)	Toothed-belt f.head-move PHS-250(TILT)	Courroie dentée movem.tête PHS-250(TILT)	Correa dentada p.movimien.de cabeza(TILT)	
E3125623	Zahnrad für Prisma PHS-250 (groß)	Tooth-wheel for prisma PHS-250 (big)	Roue dentée pour prisme PHS-250 (grand)	Rueda dentada para prisma PHS-250(grande)	32
E3125624	Goborad für rotierende Gobos für PHS-250	Gobowheel for rotating gobos for PHS-250	Roue de gobos rotatifs pour PHS-250	Rueda de gobos giratorios para PHS-250	33
E3125625	Trafo für PHS-250	Transformer for PHS-250	Transformateur pour PHS-250	Transformador para PHS-250	
E3125626	Gehäusedeckel für PHS-250 (Projektorkopf)	Housing-lid for PHS-250 (head)	Couvercle de boîtier pour PHS-250 (tête)	Tapa de caja PARA PHS-250 (cabeza)	20
E3125627	Kunststoffabdeckung Base für PHS-250	Plastic cover of base for PHS-250	Couvercle de base pour PHS-250	Tapa de base para PHS-250	9
E3125628	Gummidichtung für PHS-250 (Satz)	Rubbergasket for PHS-250 (set)	Joint en caoutchouc pour PHS-250 (set)	Junta de goma para PHS-250 (set)	
E3125629	Armabdeckung für PHS-250 (Satz)	Cover of arm for PHS-250 (set)	Couvercle de bras pour PHS-250 (set)	Cubierta de brazo para PHS-250 (set)	21
E3125630	Achsenhalterung TILT mit Antrieb PHS-250	Axle holder TILT with motor PHS-250	Support de axe TILT avec moteur PHS-250	Soporte de axis TILT con motor PHS-250	16

## Spare-parts PHS-250

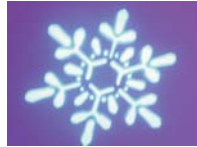
No.	Designation - German	Designation - English	Designation - French	Designation - Spanish	Part
E3125631	Montageplatte für Steppermotoren PHS-250	Holder of head main for PHS-250	Support pour moteur pour PHS-250	Soporte para motor para PHS-250	
E3125632	Profil Base für PHS-250	Profile base for PHS-250	Profile de base pour PHS-250	Perfil de base para PHS-250	8
E3125633	Montageplatte für Goborad PHS-250	Mounting plate for gobo wheel PHS-250	Plaque de fixation/roue des gobos PHS-250	Placa de fijación p.rueda de gobo PHS-250	37
E3125634	Montageplatte für Farbrad PHS-250	Mounting plate for color wheel PHS-250	Plaque de fixation p.roue des couleurs	Placa de fijación p. rueda de colores	
E3125635	Halteblech für Motor PAN-Achse PHS-250	Fixation Steppermotor PAN axle PHS-250	Fixation Steppermotor PAN axle PHS-250	Fixation Steppermotor PAN axle PHS-250	10
E3125636	Versteifungsblech für Arme PHS-250	Support sheet for arms PHS-250	Support de métal pour bras de PHS-250	Soporte de metal para brazos de PHS-250	18
E3125637	Halter für Objektivlinse PHS-250	Holder for objective-lens PHS-250	Porte-objectif pour PHS-250	Portaobjetivo para PHS-250	34
E3125638	Socket für PHS-250	Lampsocket for PHS-250	Douille pour PHS-250	Casquillo para PHS-250	23
E3125639	LED-Anzeige für PHS-250	LED-Display for PHS-250	L'affichage LED PHS-250	Pantalla LED para PHS-250	
E3125640	Temperaturschalter für PHS-250	Temperature switch for PHS-250	Interrupteur de température pour PHS-250	Interrupteur de temperatura para PHS-250	38
E3125641	Platine Motortreiber 4 für PHS-250	PCB motor driver 4 for PHS-250	Platine contrôle de moteur 4 pour PHS-250	Platina control de motor 4 para PHS-250	
E3125642	Platine Motortreiber 5 für PHS-250	PCB motor driver 5 for PHS-250	Platine contrôle de moteur 5 pour PHS-250	Platina control de motor 5 para PHS-250	
E3125643	Platine Magnetsensor PAN für PHS-250	PCB Hall sensor magnet PAN for PHS-250	Platine senseur magnetique PAN p.PHS-250	Platina Sensor magnético PAN p.PHS-250	6
E3125644	Platine Magnetsensor 1 für PHS-250	PCB Hall sensor magnet 1 for PHS-250	Platine senseur magnetique 1 p.PHS-250	Platina Sensor magnético 1 p.PHS-250	39
E3125645	Platine Magnetsensor 2 für PHS-250	PCB Hall sensor magnet 2 for PHS-250	Platine senseur magnetique 2 p.PHS-250	Platina Sensor magnético 2 p.PHS-250	
E3125646	Platine Magnetsensor 3 für PHS-250	PCB Hall sensor magnet 3 for PHS-250	Platine senseur magnetique 3 p.PHS-250	Platina Sensor magnético 3 p.PHS-250	
E3125647	Platine Magnetsensor 4 für PHS-250	PCB Hall sensor magnet 4 for PHS-250	Platine senseur magnetique 4 p.PHS-250	Platina Sensor magnético 4 p.PHS-250	
E3125648	Starter für PHS-250	Ignitor for PHS-250	Starter pour PHS-250	Encendedor para PHS-250	22
E3125649	Steppermotor 16HY für PHS-250	Stepping-motor 16HY for PHS-250	Moteur à pas 16HY pour PHS-250	Motor a paso 16HY para PHS-250	
E3125651	Klemmring für rotierendes Gobo f.PHS-250	Clamp ring for rotating gobo for PHS-250	Anneau de serrage p.gobo rotat. p.PHS-250	Anillo opresor p.gobo girator. pa.PHS-250	53
E3125652	Lampenabdeckung für PHS-250	Lampcover for PHS-250	Recouvrement de lampe pour PHS-250	Cubierta de lámpara para PHS-250	54

**METALLGOBOS 27/23mm PHS-250**  
**METAL-GOBOS 27/23mm PHS-250**  
**GOBOS METALLIQUES 27/23mm PHS-250**  
**GOBOS METALICOS 27/23mm PHS-250**

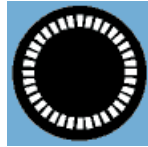
**Static gobo-wheel**  
**DMX-channel 5**



**51845011**  
Static gobo 1  
DMX-value 14-27



**51845051**  
Static gobo 2  
DMX-value 28-41



**51845052**  
Static gobo 3  
DMX-value 42-55



**51845053**  
Static gobo 4  
DMX-value 56-69



**51845006**  
Static gobo 5  
DMX-value 70-83



**51845054**  
Static gobo 6  
DMX-value 84-97



**51845058**  
Static gobo 7  
DMX-value 98-111

**Rotating gobo-wheel**  
**DMX-channel 5**



**51845055**  
Rotating gobo 1  
DMX-value 32-63



**51845056**  
Rotating gobo 2  
DMX-value 64-95



**Rotating gobo 3**  
DMX-value 96-127



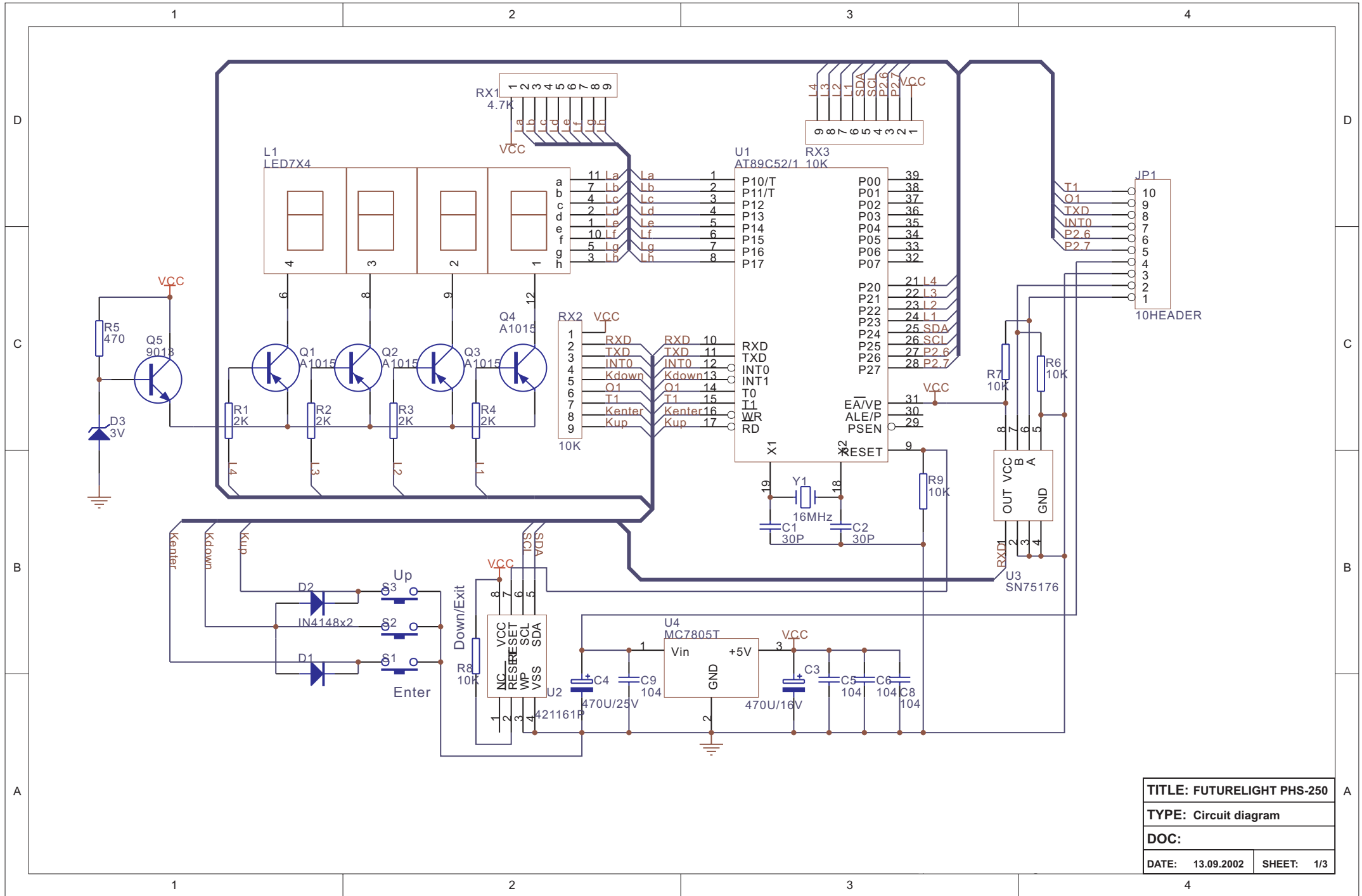
**51845057**  
Rotating gobo 4  
DMX-value 128-159



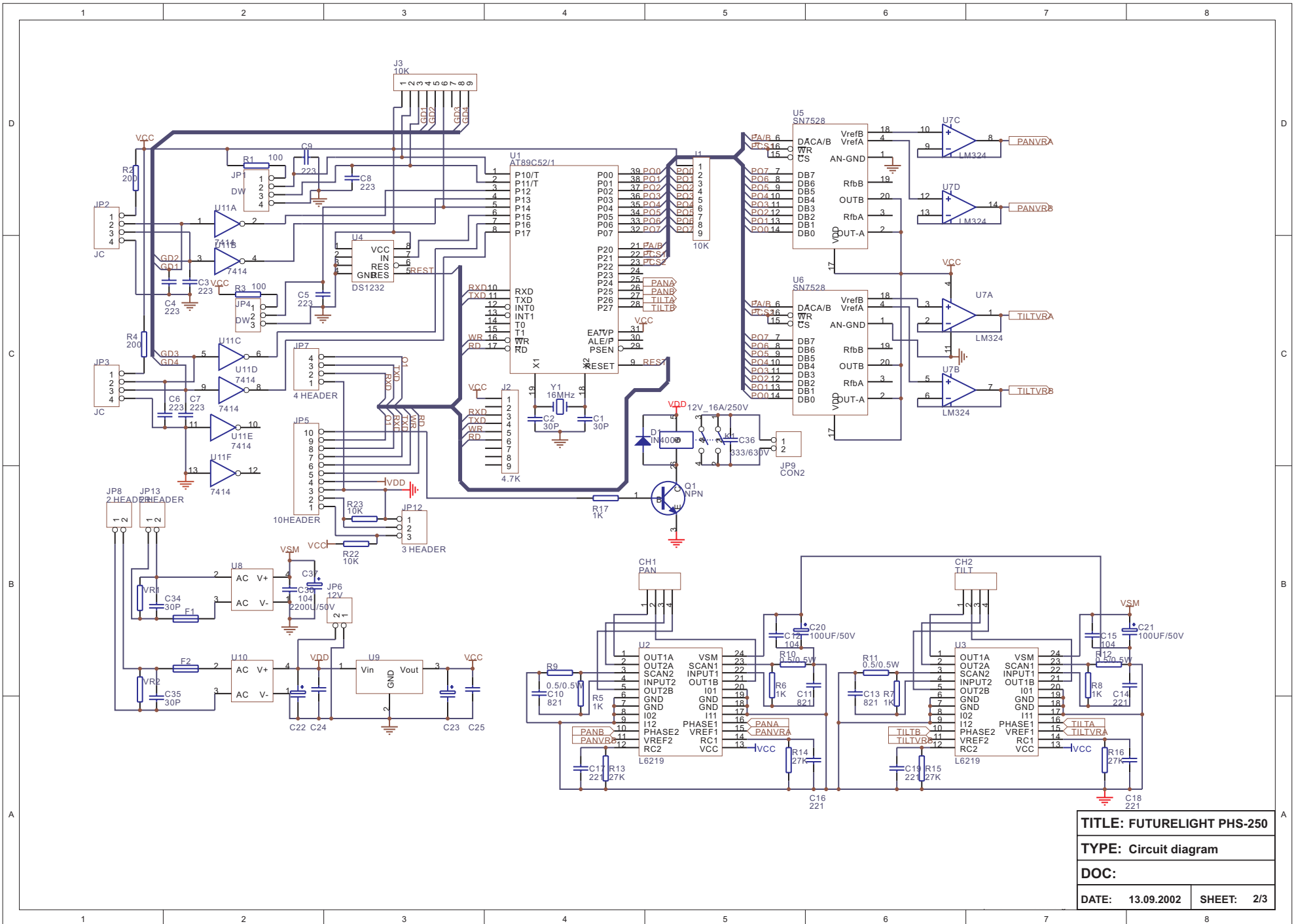
**51845058**  
Rotating gobo 5  
DMX-value 160-191



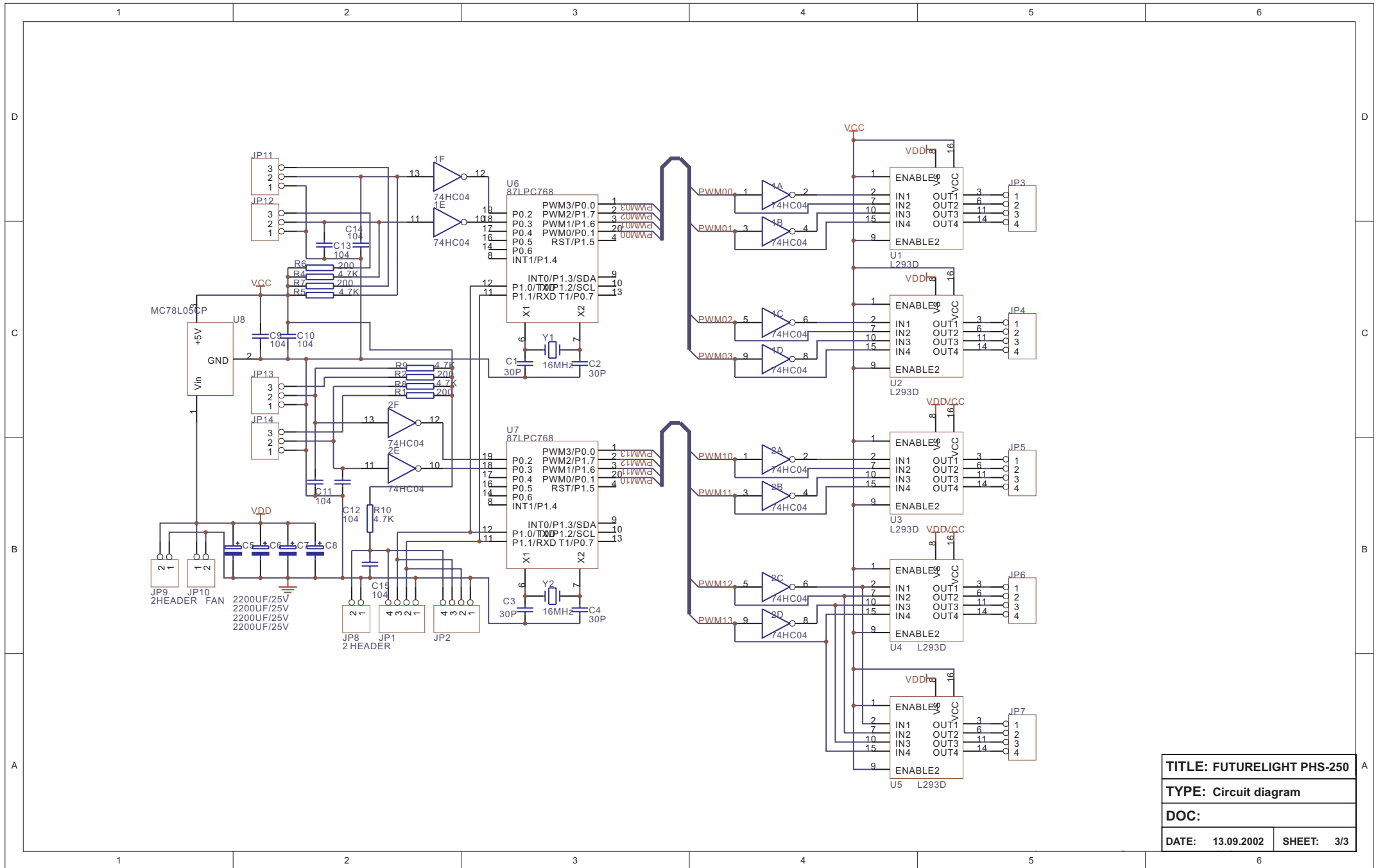
**51845059**  
Rotating gobo 6  
DMX-value 192-223



<b>TITLE:</b> FUTURELIGHT PHS-250	
<b>TYPE:</b> Circuit diagram	
<b>DOC:</b>	
<b>DATE:</b> 13.09.2002	<b>SHEET:</b> 1/3



**TITLE:** FUTURELIGHT PHS-250  
**TYPE:** Circuit diagram  
**DOC:**  
**DATE:** 13.09.2002    **SHEET:** 2/3



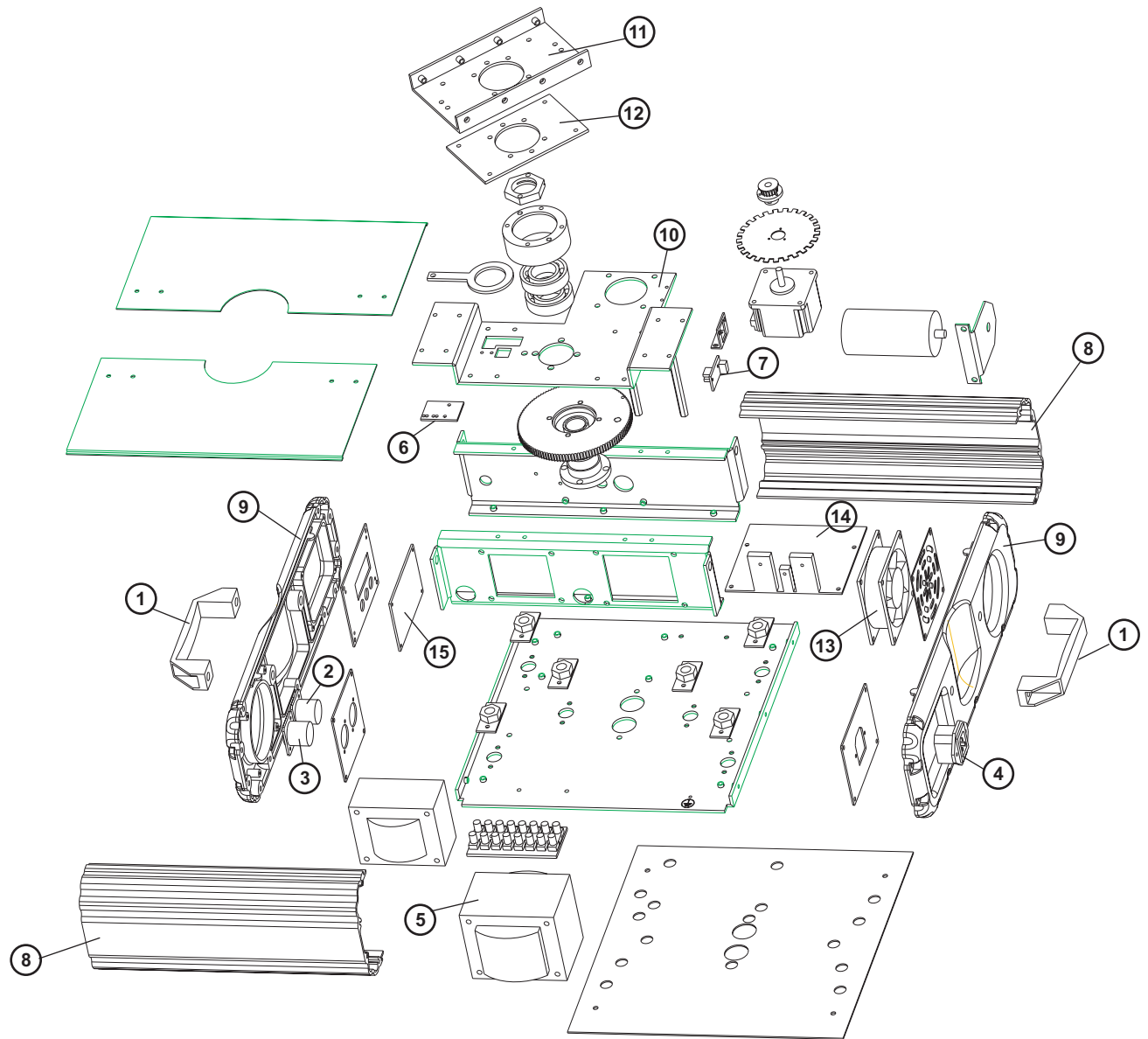
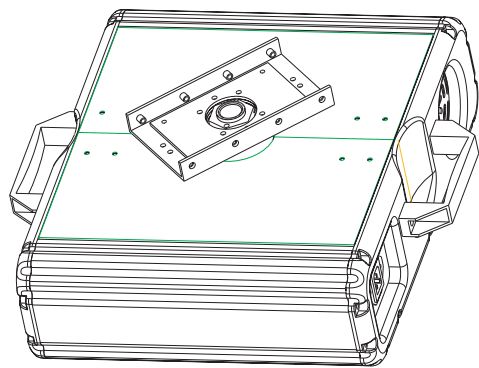
**TITLE:** FUTURELIGHT PHS-250

**TYPE:** Circuit diagram

**DOC:**

**DATE:** 13.09.2002

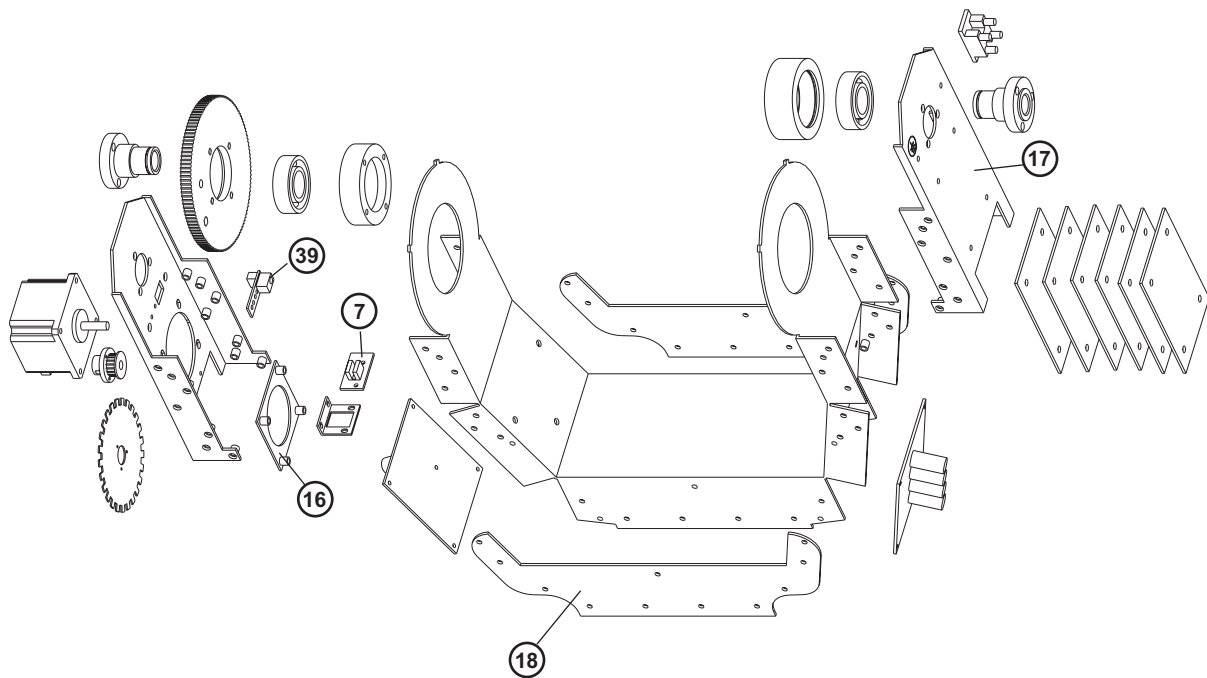
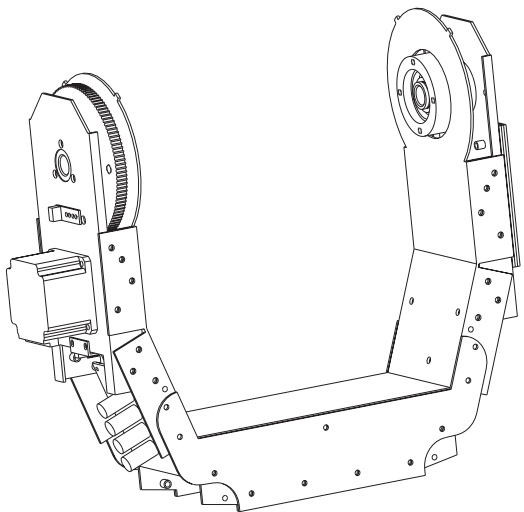
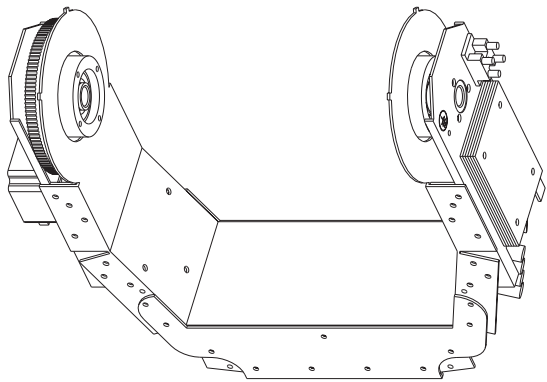
**SHEET:** 3/3



1	E3121437	9	E3125627
2	E3129601	10	E3125635
3	E3129602	11	E3125617
4	E3129603	12	E3125618
5	E3129551	13	E3121435
6	E3125601	14	E3125615
7	E3125603	15	E3125616
8	E3125632		

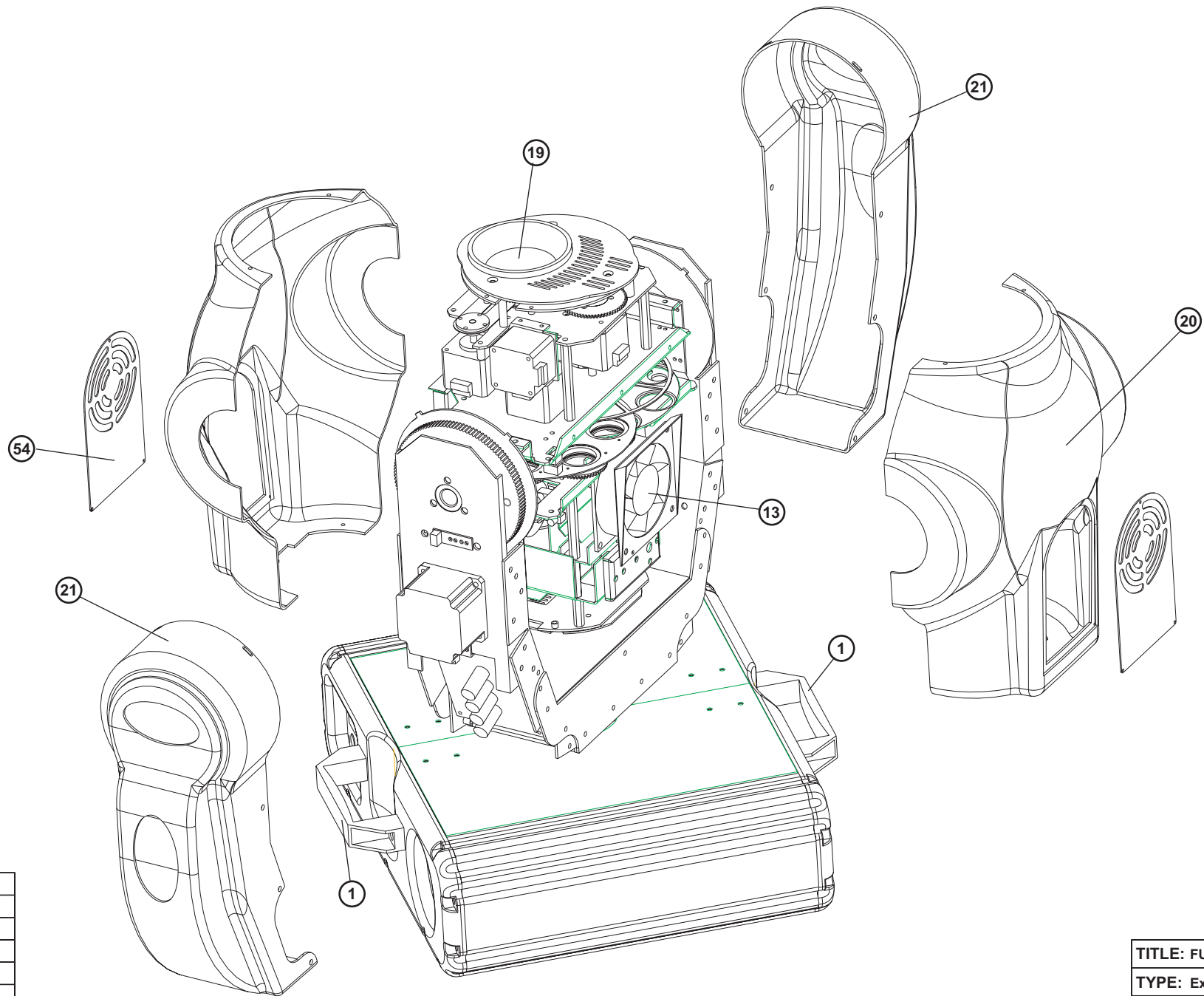
<b>TITLE:</b> FUTURELIGHT PHS-250	
<b>TYPE:</b> Exploded view	
<b>DOC:</b> Base	
<b>DATE:</b> 13.09.2002	<b>SHEET:</b> 1/8





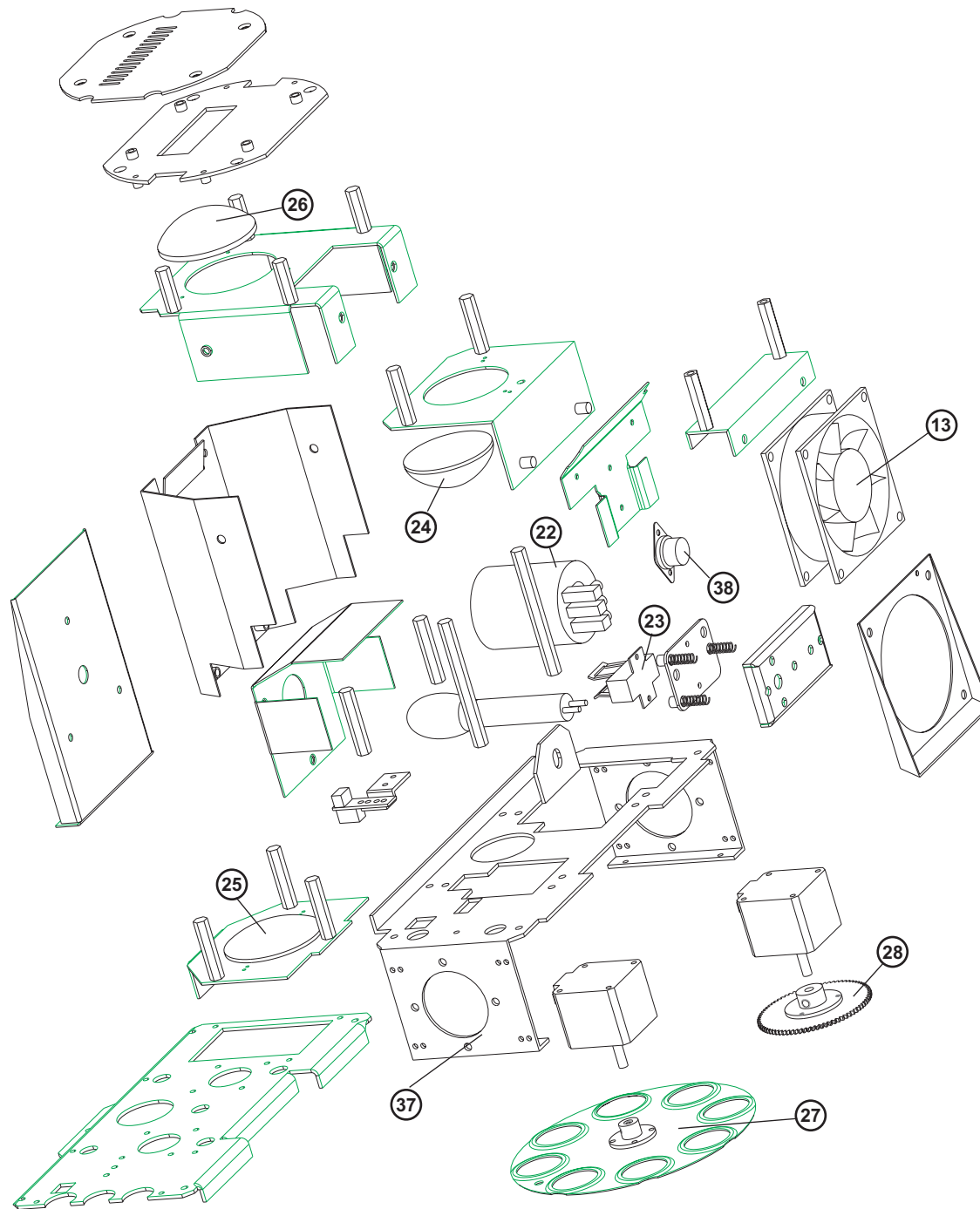
7	E3125603		
16	E3125630		
17	E3125614		
18	E3125636		
39	E3125644		

<b>TITLE:</b> FUTURELIGHT PHS-250	
<b>TYPE:</b> Exploded view	
<b>DOC:</b> Yoke	
<b>DATE:</b> 13.09.2002	<b>SHEET:</b> 2/8



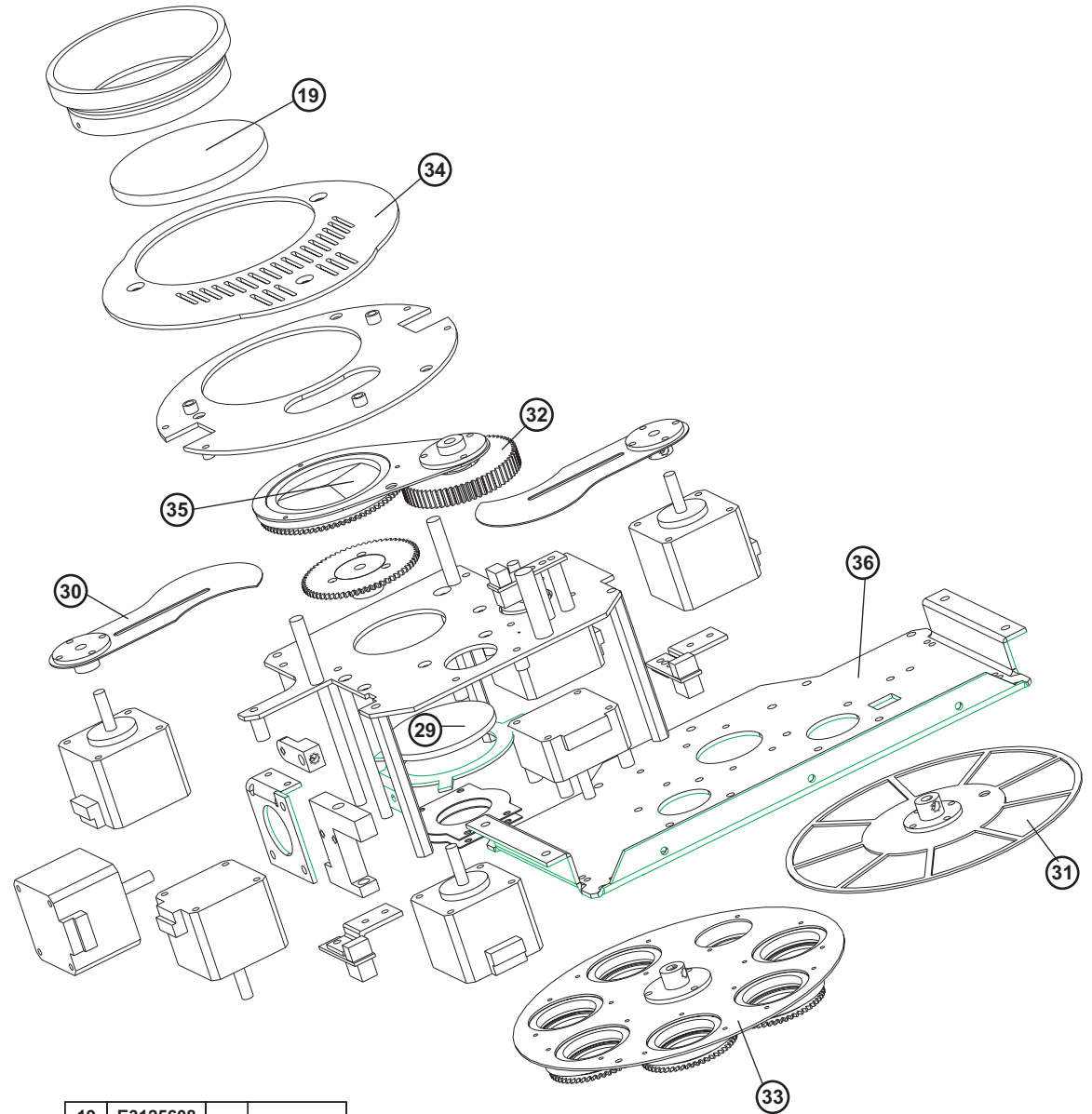
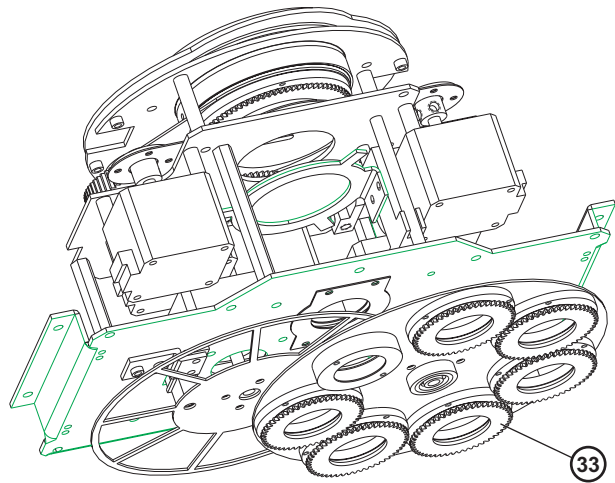
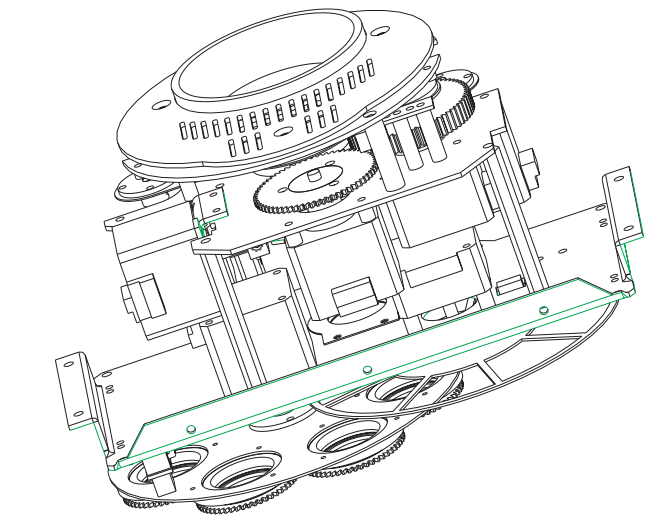
1	E3121437		
19	E3125608		
20	E3125626		
21	E3125629		
13	E3121435		
54	E3125652		

<b>TITLE:</b> FUTURELIGHT PHS-250	
<b>TYPE:</b> Exploded view	
<b>DOC:</b> Projector-head	
<b>DATE:</b> 13.09.2002	<b>SHEET:</b> 3/8



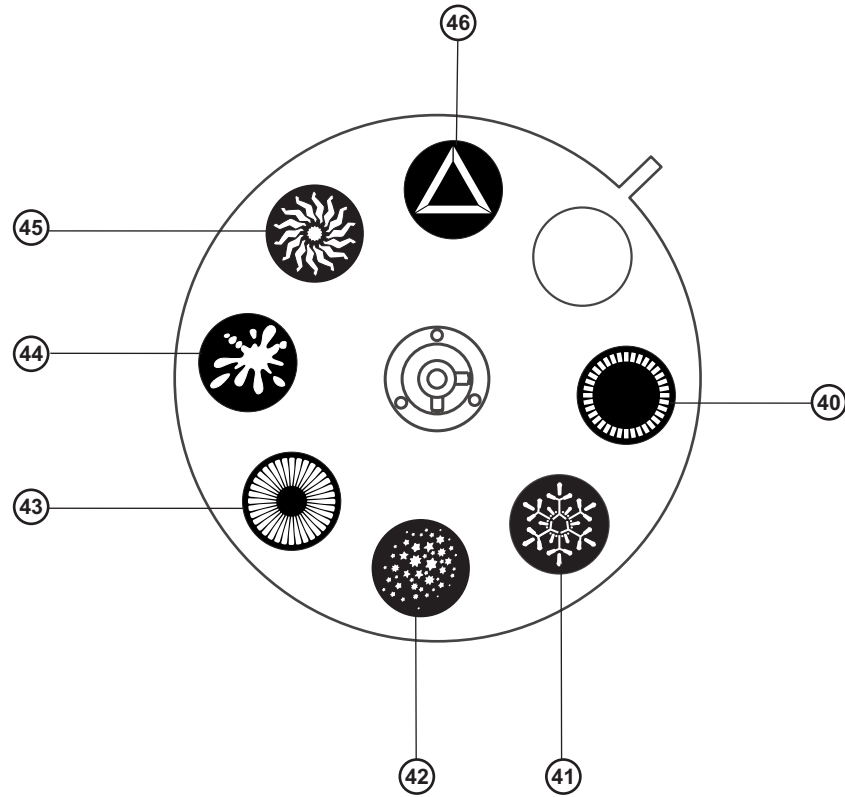
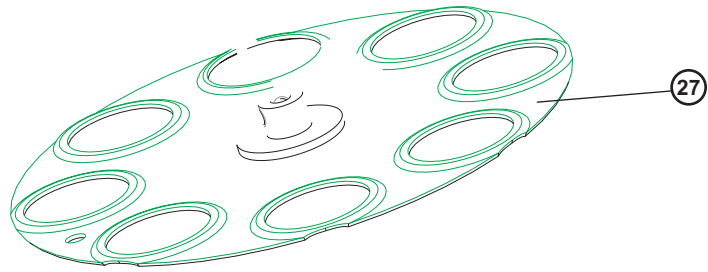
13	E3121435	37	E3125633
22	E3125648	38	E3125640
23	E3125638		
24	E3125605		
25	E3125606		
26	E3125609		
27	E3125612		
28	E3125621		

<b>TITLE:</b> FUTURELIGHT PHS-250	
<b>TYPE:</b> Exploded view	
<b>DOC:</b> Optical system	
<b>DATE:</b> 13.09.2002	<b>SHEET:</b> 4/8



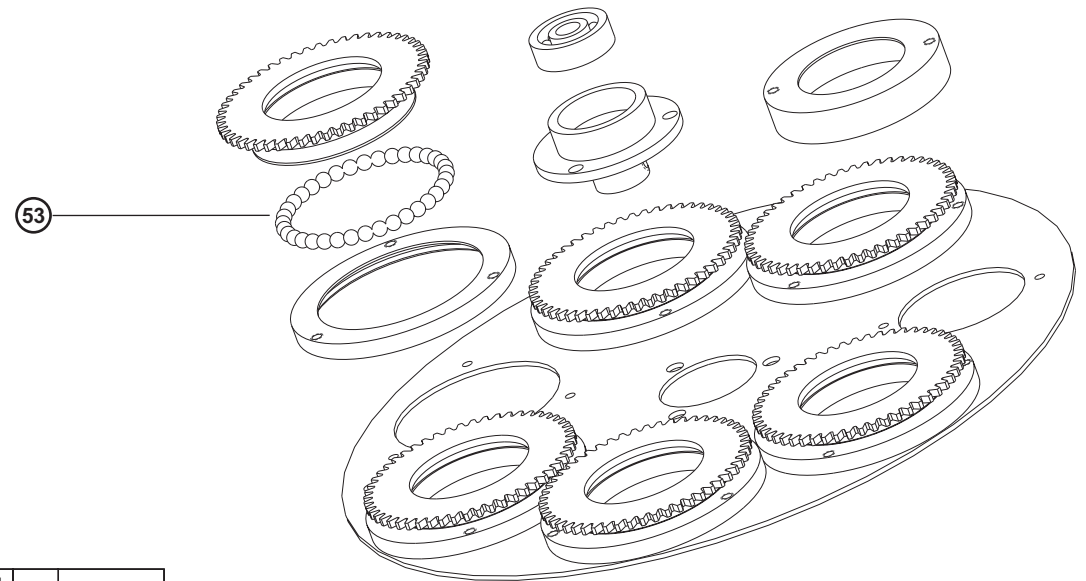
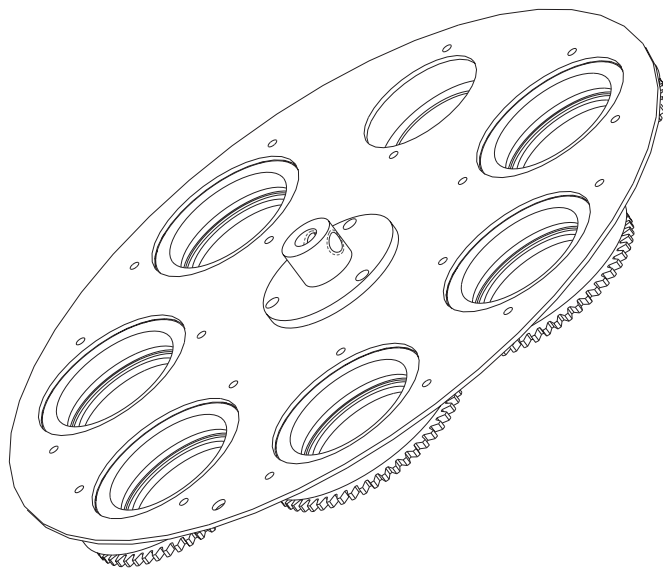
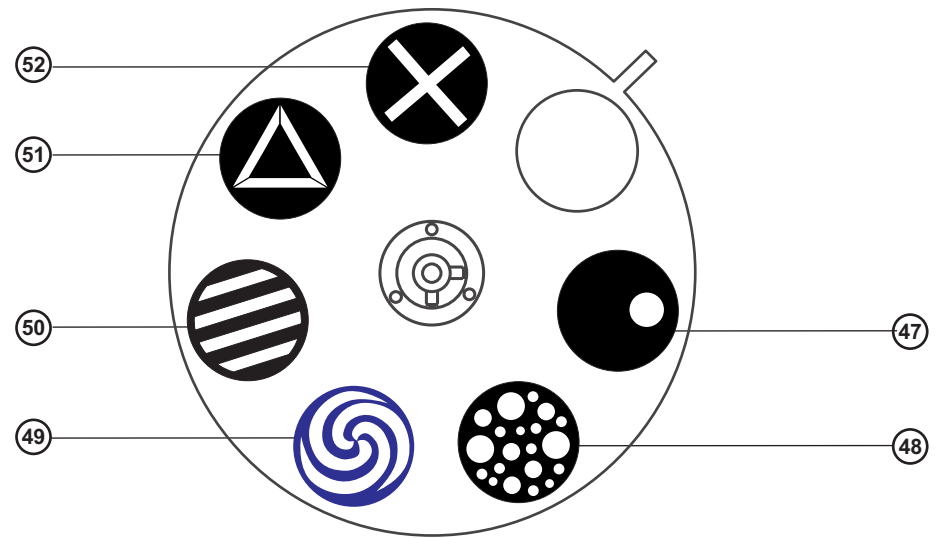
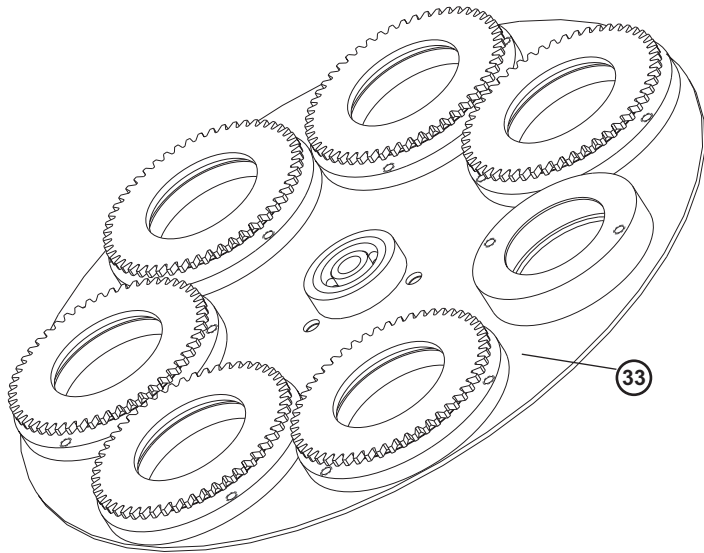
19	E3125608		
30	E3125611		
31	E3125613		
32	E3125623		
33	E3125624		
34	E3125637		
35	E3125610		
36	E3125631		

<b>TITLE:</b> FUTURELIGHT PHS-250	
<b>TYPE:</b> Exploded view	
<b>DOC:</b> Effect-unit	
<b>DATE:</b> 13.09.2002	<b>SHEET:</b> 5/8



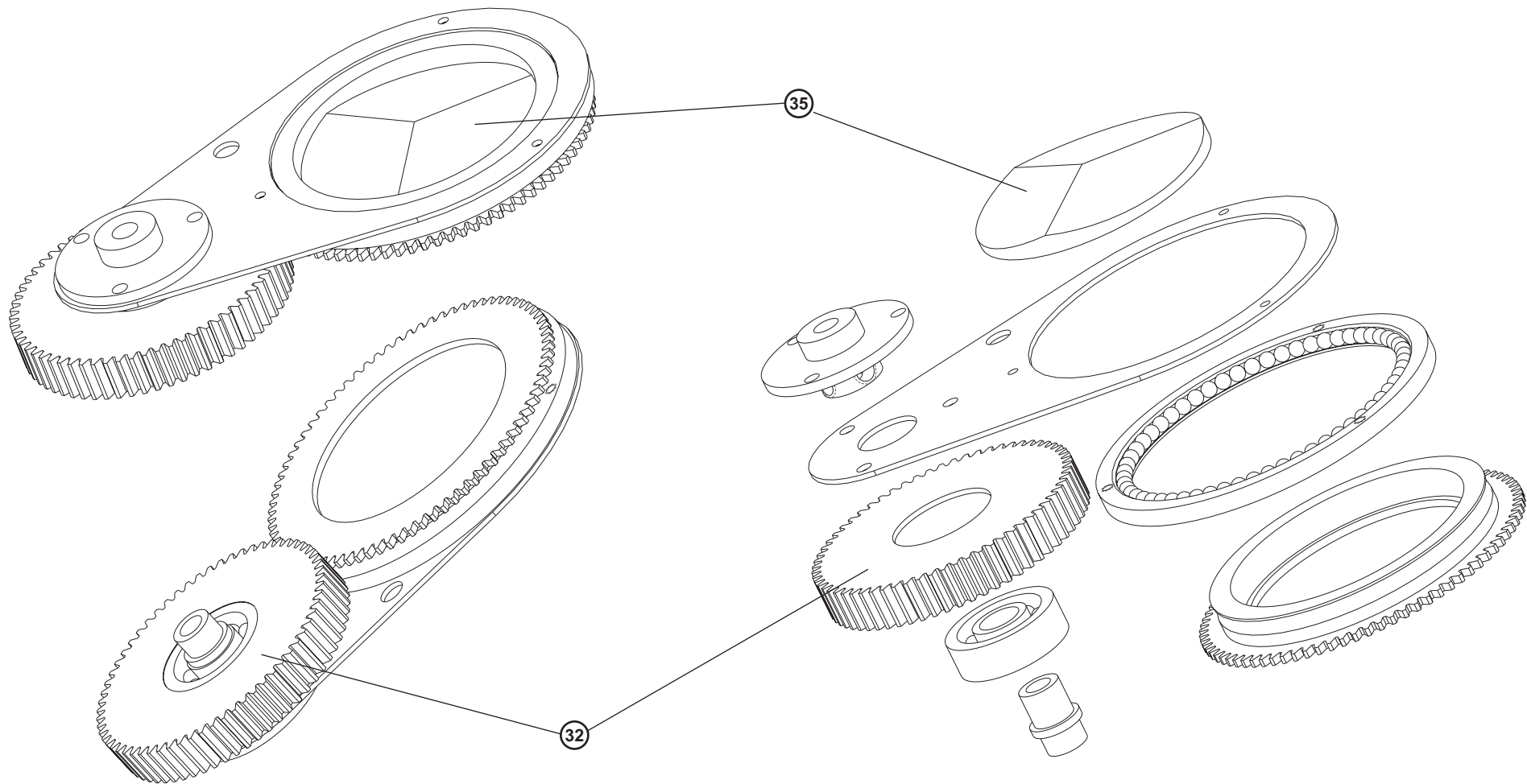
27	E3125612		
40	51845052		
41	51845051		
42	51845011		
43	51845053		
44	51845006		
45	51845054		
46	51845058		

<b>TITLE:</b> FUTURELIGHT PHS-250	
<b>TYPE:</b> Exploded view	
<b>DOC:</b> Static gobo-wheel	
<b>DATE:</b> 07.11.2002	<b>SHEET:</b> 6/8



33	E3125624		
47	51845055		
48	51845056		
49	51845405		
50	51845057		
51	51845058		
52	51845059		
53	E3125651		

<b>TITLE:</b> FUTURELIGHT PHS-250	
<b>TYPE:</b> Exploded view	
<b>DOC:</b> Rotating gobo-wheel	
<b>DATE:</b> 07.11.2002	<b>SHEET:</b> 7/8



32	E3125623		
33	E3125624		

<b>TITLE:</b> FUTURELIGHT PHS-250	
<b>TYPE:</b> Exploded view	
<b>DOC:</b> Prism	
<b>DATE:</b> 07.11.2002	<b>SHEET:</b> 8/8

## Accessory PHS-250

No.	Designation - German	Designation - English	Designation - French	Designation - Spanish
89106115	PHILIPS MSD250/2 90V/250W GY-9.5 2000h	PHILIPS MSD250/2 90V/250W GY-9.5 2000h	PHILIPS MSD250/2 90V/250W GY-9.5 2000h	PHILIPS MSD250/2 90V/250W GY-9.5 2000h
89106100	GE CSD250/2 95V/250W GY-9,5 2000h 8500K	GE CSD250/2 95V/250W GY-9,5 2000h 8500K	GE CSD250/2 95V/250W GY-9,5 2000h 8500K	GE CSD250/2 95V/250W GY-9,5 2000h 8500K
89106110	OSRAM HSD250/2 90V/250W GY9,5 3000h 7800K	OSRAM HSD250/2 90V/250W GY9,5 3000h 7800K	OSRAM HSD250/2 90V/250W GY9,5 3000h 7800K	OSRAM HSD250/2 90V/250W GY9,5 3000h 7800K
89106120	SYLVANIA BA250/2 SE D 90V/250W GY-9,5	SYLVANIA BA250/2 SE D 90V/250W GY-9,5	SYLVANIA BA250/2 SE D 90V/250W GY-9,5	SYLVANIA BA250/2 SE D 90V/250W GY-9,5
89106005	OMNILUX OSD 90V/250W GY-9,5 2000h 6700K	OMNILUX OSD 90V/250W GY-9,5 2000h 6700K	OMNILUX OSD 90V/250W GY-9,5 2000h 6700K	OMNILUX OSD 90V/250W GY-9,5 2000h 6700K
89106010	OSRAM HSD 250 90V/250W GY-9,5 2000h	OSRAM HSD 250 90V/250W GY-9,5 2000h	OSRAM HSD 250 90V/250W GY-9,5 2000h	OSRAM HSD 250 90V/250W GY-9,5 2000h
89106015	PHILIPS MSD250 90V/250W GY-9,5 2000h	PHILIPS MSD250 90V/250W GY-9,5 2000h	PHILIPS MSD250 90V/250W GY-9,5 2000h	PHILIPS MSD250 90V/250W GY-9,5 2000h
89101015	PHILIPS MSR200 70V/200W GZY-9,5 200h	PHILIPS MSR200 70V/200W GZY-9,5 200h	PHILIPS MSR200 70V/200W GZY-9,5 200h	PHILIPS MSR200 70V/200W GZY-9,5 200h
89101020	SYLVANIA BA200 SE HR 70V/200W GZY-9,5	SYLVANIA BA200 SE HR 70V/200W GZY-9,5	SYLVANIA BA200 SE HR 70V/200W GZY-9,5	SYLVANIA BA200 SE HR 70V/200W GZY-9,5
89102005	OMNILUX OSD 70V/200W GY-9,5 2000h 6700K	OMNILUX OSD 70V/200W GY-9,5 2000h 6700K	OMNILUX OSD 70V/200W GY-9,5 2000h 6700K	OMNILUX OSD 70V/200W GY-9,5 2000h 6700K
89102010	OSRAM HSD 200 70V/200W GY-9,5 2000h	OSRAM HSD 200 70V/200W GY-9,5 2000h	OSRAM HSD 200 70V/200W GY-9,5 2000h	OSRAM HSD 200 70V/200W GY-9,5 2000h
89102015	PHILIPS MSD200 70V/200W GY-9,5 2000h	PHILIPS MSD200 70V/200W GY-9,5 2000h	PHILIPS MSD200 70V/200W GY-9,5 2000h	PHILIPS MSD200 70V/200W GY-9,5 2000h
51834285	FUTURELIGHT CP-256 Controller 16bit	FUTURELIGHT CP-256 controller 16bit	FUTURELIGHT CP-256 contrôleur 16bit	FUTURELIGHT CP-256 controlador 16bit
51834286	FUTURELIGHT CP-256/32 Controller 16bit	FUTURELIGHT CP-256/32 controller 16bit	FUTURELIGHT CP-256/32 contrôleur 16bit	FUTURELIGHT CP-256/32 controlador 16bit
70064520	EUROLITE DMX Operator 192 Kanal	EUROLITE DMX Operator 192 Kanal	EUROLITE DMX Operator 192 canaux	EUROLITE DMX Operator 192 Kanal
51834315	FUTURELIGHT CP-528 Controller 16bit	FUTURELIGHT CP-528 controller 16bit	FUTURELIGHT CP-528 contrôleur 16bit	FUTURELIGHT CP-528 controlador 16bit
59006800	EUROLITE TPC-50 Klammer	EUROLITE TPC-50 half coupler	Crampon pour prise de traverses (base)	Grapa para travesaño
58000730	EUROLITE TH-100 Theaterhaken max. 200kg	EUROLITE TH-100 theatre-hook max. 200kg	EUROLITE TH-100 crochet max. 200kg	EUROLITE TH-100 gancho max. 200kg
58000740	EUROLITE TH-200 Theaterhaken max. 200kg	EUROLITE TH-200 theatre-hook max. 200kg	EUROLITE TH-200 crochet max. 200kg	EUROLITE TH-200 gancho max. 200kg
58010205	Sicherheits-Fangseil 90cm x 4mm bis 30kg	Safety-rope 90cm x 4mm up to 30kg	Elingue 90cm x 4mm jusqu'à 30kg	Cable de anclaje 90cm x 4mm hasta 30kg
58010180	Sicherheits-Fangseil 25cm x 4mm bis 30kg	Safety-rope 25cm x 4mm up to 30kg	Elingue 25cm x 4mm jusqu'à 30kg	Cable de anclaje 25cm x 4mm hasta 30kg
58010305	Sicherheits-Fangseil 140cm x 4mm bis 30kg	Safety-rope 140cm x 4mm up to 30kg	Elingue 140cm x 4mm jusqu'à 30kg	Cable de anclaje 140cm x 4mm hasta 30kg
58010190	Sicherheits-Fangseil 40cm x 4mm bis 30kg	Safety-rope 40cm x 4mm up to 30kg	Elingue 40cm x 4mm jusqu'à 30kg	Cable de anclaje 40cm x 4mm hasta 30kg
51836860	Transportcase für 2x PHS-250 m. Rollbrett	Flightcase for 2x PHS-250 w. reel-board	Transportcase für 2x PHS-250 m. Rollbrett	Transportcase für 2x PHS-250 m. Rollbrett
51845001	Gobo 27/23mm Metall, Design 1	Gobo 27/23mm metal, design 1	Gobo 27/23mm métallique, dessin 1	Gobo 27/23mm metálico, diseño 1
51845002	Gobo 27/23mm Metall, Design 2	Gobo 27/23mm metal, design 2	Gobo 27/23mm métallique, dessin 2	Gobo 27/23mm metálico, diseño 2
51845003	Gobo 27/23mm Metall, Design 3	Gobo 27/23mm metal, design 3	Gobo 27/23mm métallique, dessin 3	Gobo 27/23mm metálico, diseño 3
51845004	Gobo 27/23mm Metall, Design 4	Gobo 27/23mm metal, design 4	Gobo 27/23mm métallique, dessin 4	Gobo 27/23mm metálico, diseño 4
51845005	Gobo 27/23mm Metall, Design 5	Gobo 27/23mm metal, design 5	Gobo 27/23mm métallique, dessin 5	Gobo 27/23mm metálico, diseño 5
51845006	Gobo 27/23mm Metall, Design 6	Gobo 27/23mm metal, design 6	Gobo 27/23mm métallique, dessin 6	Gobo 27/23mm metálico, diseño 6
51845007	Gobo 27/23mm Metall, Design 7	Gobo 27/23mm metal, design 7	Gobo 27/23mm métallique, dessin 7	Gobo 27/23mm metálico, diseño 7
51845008	Gobo 27/23mm Metall, Design 8	Gobo 27/23mm metal, design 8	Gobo 27/23mm métallique, dessin 8	Gobo 27/23mm metálico, diseño 8
51845009	Gobo 27/23mm Metall, Design 9	Gobo 27/23mm metal, design 9	Gobo 27/23mm métallique, dessin 9	Gobo 27/23mm metálico, diseño 9
51845010	Gobo 27/23mm Metall, Design 10	Gobo 27/23mm metal, design 10	Gobo 27/23mm métallique, dessin 10	Gobo 27/23mm metálico, diseño 10
51845011	Gobo 27/23mm Metall, Design 11	Gobo 27/23mm metal, design 11	Gobo 27/23mm métallique, dessin 11	Gobo 27/23mm metálico, diseño 11
51845012	Gobo 27/23mm Metall, Design 12	Gobo 27/23mm metal, design 12	Gobo 27/23mm métallique, dessin 12	Gobo 27/23mm metálico, diseño 12
51845013	Gobo 27/23mm Metall, Design 13	Gobo 27/23mm metal, design 13	Gobo 27/23mm métallique, dessin 13	Gobo 27/23mm metálico, diseño 13
51845014	Gobo 27/23mm Metall, Design 14	Gobo 27/23mm metal, design 14	Gobo 27/23mm métallique, dessin 14	Gobo 27/23mm metálico, diseño 14
51845015	Gobo 27/23mm Metall, Design 15	Gobo 27/23mm metal, design 15	Gobo 27/23mm métallique, dessin 15	Gobo 27/23mm metálico, diseño 15
51845016	Gobo 27/23mm Metall, Design 16	Gobo 27/23mm metal, design 16	Gobo 27/23mm métallique, dessin 16	Gobo 27/23mm metálico, diseño 16
51845017	Gobo 27/23mm Metall, Design 17	Gobo 27/23mm metal, design 17	Gobo 27/23mm métallique, dessin 17	Gobo 27/23mm metálico, diseño 17
51845018	Gobo 27/23mm Metall, Design 18	Gobo 27/23mm metal, design 18	Gobo 27/23mm métallique, dessin 18	Gobo 27/23mm metálico, diseño 18
51845019	Gobo 27/23mm Metall, Design 19	Gobo 27/23mm metal, design 19	Gobo 27/23mm métallique, dessin 19	Gobo 27/23mm metálico, diseño 19
51845020	Gobo 27/23mm Metall, Design 20	Gobo 27/23mm metal, design 20	Gobo 27/23mm métallique, dessin 20	Gobo 27/23mm metálico, diseño 20
51845021	Gobo 27/23mm Metall, Design 21	Gobo 27/23mm metal, design 21	Gobo 27/23mm métallique, dessin 21	Gobo 27/23mm metálico, diseño 21
51845021	Gobo 27/23mm Metall, Design 21	Gobo 27/23mm metal, design 21	Gobo 27/23mm métallique, dessin 21	Gobo 27/23mm metálico, diseño 21
51845022	Gobo 27/23mm Metall, Design 22	Gobo 27/23mm metal, design 22	Gobo 27/23mm métallique, dessin 22	Gobo 27/23mm metálico, diseño 22
51845023	Gobo 27/23mm Metall, Design 23	Gobo 27/23mm metal, design 23	Gobo 27/23mm métallique, dessin 23	Gobo 27/23mm metálico, diseño 23
51845024	Gobo 27/23mm Metall, Design 24	Gobo 27/23mm metal, design 24	Gobo 27/23mm métallique, dessin 24	Gobo 27/23mm metálico, diseño 24
51845025	Gobo 27/23mm Metall, Design 25	Gobo 27/23mm metal, design 25	Gobo 27/23mm métallique, dessin 25	Gobo 27/23mm metálico, diseño 25
51845026	Gobo 27/23mm Metall, Design 26	Gobo 27/23mm metal, design 26	Gobo 27/23mm métallique, dessin 26	Gobo 27/23mm metálico, diseño 26
51845027	Gobo 27/23mm Metall, Design 27	Gobo 27/23mm metal, design 27	Gobo 27/23mm métallique, dessin 27	Gobo 27/23mm metálico, diseño 27
51845028	Gobo 27/23mm Metall, Design 28	Gobo 27/23mm metal, design 28	Gobo 27/23mm métallique, dessin 28	Gobo 27/23mm metálico, diseño 28
51845029	Gobo 27/23mm Metall, Design 29	Gobo 27/23mm metal, design 29	Gobo 27/23mm métallique, dessin 29	Gobo 27/23mm metálico, diseño 29
51845030	Gobo 27/23mm Metall, Design 30	Gobo 27/23mm metal, design 30	Gobo 27/23mm métallique, dessin 30	Gobo 27/23mm metálico, diseño 30
51845031	Gobo 27/23mm Metall, Design 31	Gobo 27/23mm metal, design 31	Gobo 27/23mm métallique, dessin 31	Gobo 27/23mm metálico, diseño 31
51845032	Gobo 27/23mm Metall, Design 32	Gobo 27/23mm metal, design 32	Gobo 27/23mm métallique, dessin 32	Gobo 27/23mm metálico, diseño 32
51845033	Gobo 27/23mm Metall, Design 33	Gobo 27/23mm metal, design 33	Gobo 27/23mm métallique, dessin 33	Gobo 27/23mm metálico, diseño 33
51845034	Gobo 27/23mm Metall, Design 34	Gobo 27/23mm metal, design 34	Gobo 27/23mm métallique, dessin 34	Gobo 27/23mm metálico, diseño 34



## Accessory PHS-250

No.	Designation - German	Designation - English	Designation - French	Designation - Spanish
51845035	Gobo 27/23mm Metall, Design 35	Gobo 27/23mm metal, design 35	Gobo 27/23mm métallique, dessin 35	Gobo 27/23mm metálico, diseño 35
51845036	Gobo 27/23mm Metall, Design 36	Gobo 27/23mm metal, design 36	Gobo 27/23mm métallique, dessin 36	Gobo 27/23mm metálico, diseño 36
51845037	Gobo 27/23mm Metall, Design 37	Gobo 27/23mm metal, design 37	Gobo 27/23mm métallique, dessin 37	Gobo 27/23mm metálico, diseño 37
51845038	Gobo 27/23mm Metall, Design 38	Gobo 27/23mm metal, design 38	Gobo 27/23mm métallique, dessin 38	Gobo 27/23mm metálico, diseño 38
51845039	Gobo 27/23mm Metall, Design 39	Gobo 27/23mm metal, design 39	Gobo 27/23mm métallique, dessin 39	Gobo 27/23mm metálico, diseño 39
51845040	Gobo 27/23mm Metall, Design 40	Gobo 27/23mm metal, design 40	Gobo 27/23mm métallique, dessin 40	Gobo 27/23mm metálico, diseño 40
51845041	Gobo 27/23mm Metall, Design 41	Gobo 27/23mm metal, design 41	Gobo 27/23mm métallique, dessin 41	Gobo 27/23mm metálico, diseño 41
51845042	Gobo 27/23mm Metall, Design 42	Gobo 27/23mm metal, design 42	Gobo 27/23mm métallique, dessin 42	Gobo 27/23mm metálico, diseño 42
51845043	Gobo 27/23mm Metall, Design 43	Gobo 27/23mm metal, design 43	Gobo 27/23mm métallique, dessin 43	Gobo 27/23mm metálico, diseño 43
51845044	Gobo 27/23mm Metall, Design 44	Gobo 27/23mm metal, design 44	Gobo 27/23mm métallique, dessin 44	Gobo 27/23mm metálico, diseño 44
51845045	Gobo 27/23mm Metall, Design 45	Gobo 27/23mm metal, design 45	Gobo 27/23mm métallique, dessin 45	Gobo 27/23mm metálico, diseño 45
51845046	Gobo 27/23mm Metall, Design 46	Gobo 27/23mm metal, design 46	Gobo 27/23mm métallique, dessin 46	Gobo 27/23mm metálico, diseño 46
51845047	Gobo 27/23mm Metall, Design 47	Gobo 27/23mm metal, design 47	Gobo 27/23mm métallique, dessin 47	Gobo 27/23mm metálico, diseño 47
51845048	Gobo 27/23mm Metall, Design 48	Gobo 27/23mm metal, design 48	Gobo 27/23mm métallique, dessin 48	Gobo 27/23mm metálico, diseño 48
51845049	Gobo 27/23mm Metall, Design 49	Gobo 27/23mm metal, design 49	Gobo 27/23mm métallique, dessin 49	Gobo 27/23mm metálico, diseño 49
51845050	Gobo 27/23mm Metall, Design 50	Gobo 27/23mm metal, design 50	Gobo 27/23mm métallique, dessin 50	Gobo 27/23mm metálico, diseño 50
51845051	Gobo 27/23mm Metall, Design 51	Gobo 27/23mm metal, design 51	Gobo 27/23mm métallique, dessin 51	Gobo 27/23mm metálico, diseño 51
51845052	Gobo 27/23mm Metall, Design 52	Gobo 27/23mm metal, design 52	Gobo 27/23mm métallique, dessin 52	Gobo 27/23mm metálico, diseño 52
51845053	Gobo 27/23mm Metall, Design 53	Gobo 27/23mm metal, design 53	Gobo 27/23mm métallique, dessin 53	Gobo 27/23mm metálico, diseño 53
51845054	Gobo 27/23mm Metall, Design 54	Gobo 27/23mm metal, design 54	Gobo 27/23mm métallique, dessin 54	Gobo 27/23mm metálico, diseño 54
51845055	Gobo 27/23mm Metall, Design 55	Gobo 27/23mm metal, design 55	Gobo 27/23mm métallique, dessin 55	Gobo 27/23mm metálico, diseño 55
51845056	Gobo 27/23mm Metall, Design 56	Gobo 27/23mm metal, design 56	Gobo 27/23mm métallique, dessin 56	Gobo 27/23mm metálico, diseño 56
51845057	Gobo 27/23mm Metall, Design 57	Gobo 27/23mm metal, design 57	Gobo 27/23mm métallique, dessin 57	Gobo 27/23mm metálico, diseño 57
51845058	Gobo 27/23mm Metall, Design 58	Gobo 27/23mm metal, design 58	Gobo 27/23mm métallique, dessin 58	Gobo 27/23mm metálico, diseño 58
51845059	Gobo 27/23mm Metall, Design 59	Gobo 27/23mm metal, design 59	Gobo 27/23mm métallique, dessin 59	Gobo 27/23mm metálico, diseño 59

**METALLGOBOS 27/23mm**  
**METAL-GOBOS 27/23mm**  
**GOBOS METALLIQUES 27/23mm**  
**GOBOS METALICOS 27/23mm**



51845001.JPG



51845002.JPG



51845003.JPG



51845004.JPG



51845005.JPG



51845006.JPG



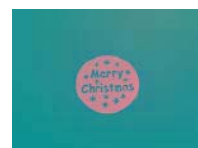
51845007.JPG



51845008.JPG



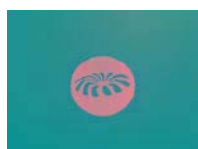
51845009.JPG



51845010.JPG



51845011.JPG



51845012.JPG



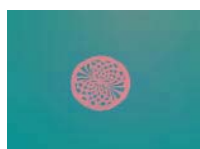
51845013.JPG



51845014.JPG



51845015.JPG



51845016.JPG



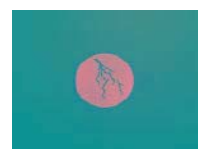
51845017.JPG



51845018.JPG



51845019.JPG



51845020.JPG



51845021.JPG



51845022.JPG



51845023.JPG



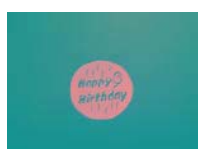
51845024.JPG



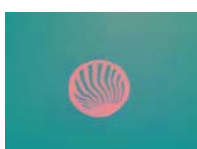
51845025.JPG



51845026.JPG



51845027.JPG



51845028.JPG



51845029.JPG



51845030.JPG



51845031.JPG



51845032.JPG



51845033.JPG



51845034.JPG



51845035.JPG

**METALLGOBOS 27/23mm**  
**METAL-GOBOS 27/23mm**  
**GOBOS METALLIQUES 27/23mm**  
**GOBOS METALICOS 27/23mm**



51845036.JPG



51845037.JPG



51845038.JPG



51845039.JPG



51845040.JPG



51845041.JPG



51845042.JPG



51845043.JPG



51845044.JPG



51845045.JPG



51845046.JPG



51845047.JPG



51845048.JPG



51845049.JPG



51845050.JPG



51845051.JPG



51845052.gif



51845053.JPG



51845054.JPG



51845055.gif



51845056.JPG



51845057.gif



51845058.gif



51845059.gif